

Destinatar

Firma
Referinta
Adresa
Phone
Fax
E-mail

Expeditor

Cod articol :

102162062

Articol:

JET 151 M-P

Date pompa

Presiune nominala: 8 bar (800 kPa)
Temperatura min. fluid 0 °C
Temperatura max. fluid 35 °C
Temperatura max. ambienta 40 °C

Capacitate de amorsare:

H m	2	3	4	5	6	7	8	
Q m³/h	4,2	3,72	3,36	3	2,46	1,98	1,5	

Date de functionare cerute

Debit :
Inaltime de pompare :
Fluid pompat : Apă
Temperatura fluid: 20 °C
Densitate 998,3 kg/m³
Vasozitate cinematica: 1,005 mm²/s
Presiune de vapori:

Date disponibile:

Debit :
Inaltime de pompare :

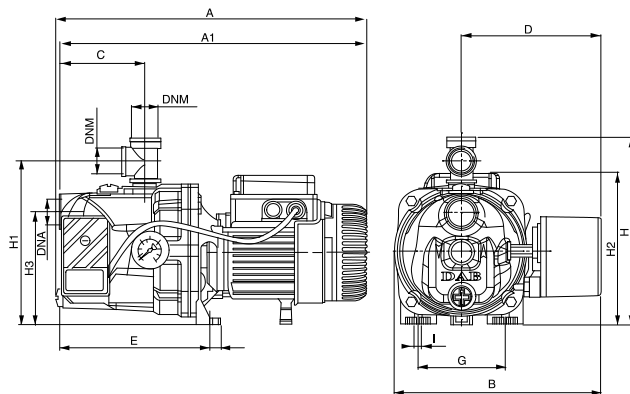
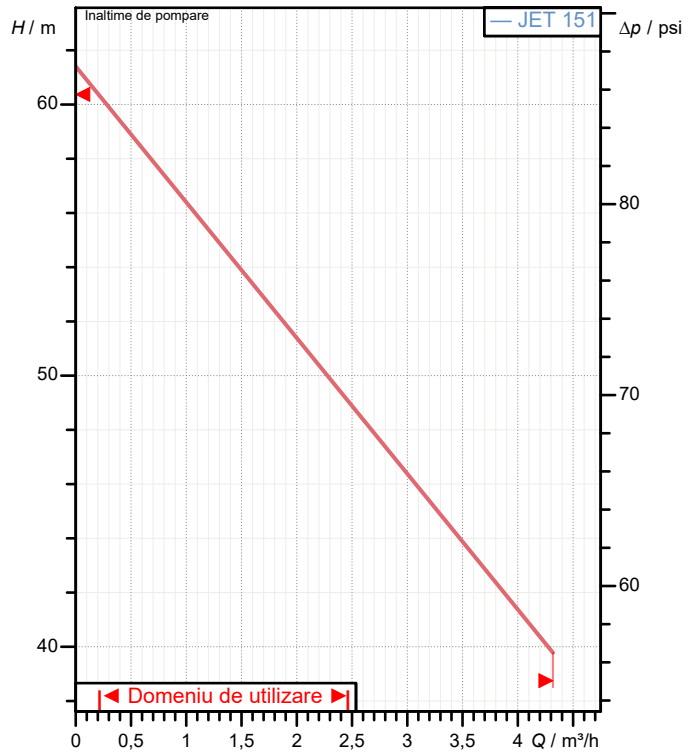
Materiale

Corp pompa Fonta GJL 200 UNI EN 1561
Suport Fonta GJL 200 UNI EN 1561
Rotor Noryl
Etansare mecanica Carbon/Ceramica
Garnitura OR Cauciuc NBR
Arbore cu rotor AISI 303
Grup duza difuzor venturi Noryl

Date motor

Marca : DAB
Putere nominala P2: 1,1 kW
Viteza nominala: 2.800 1/min
Tensiune nominala : 1~ 220-240 V 50 Hz
Curent nominal : 7,2 A
Grad de protectie: IP 44

Curve tolerance according to ISO 9906



Dimensiuni de gabarit mm

A	558	D	-	F	15	H2	-
A1	-	DNA	1"1/4 G	G	145	H3	-
B	290	DNM	1" G	H	305	I	-
C	220	E	367	H1	165	I Ø	11

Masa 31,5 kg

Racorduri pompa:

Partea cu aspiratia: 1" 1/4 G / 8 bar (800 kPa)
Partea cu refularea: 1" G / 8 bar (800 kPa)



WATER • TECHNOLOGY

CURBELOR CARACTERISTICE

01/27/2021

Pagina 2 / 3

DAB PUMPS S.p.A.
Via Marco Polo, 14 - 35035 Mestrino (PD), Italy
Tel. +39 049 5125000 - Fax +39 049 5125950
www.dabpumps.com

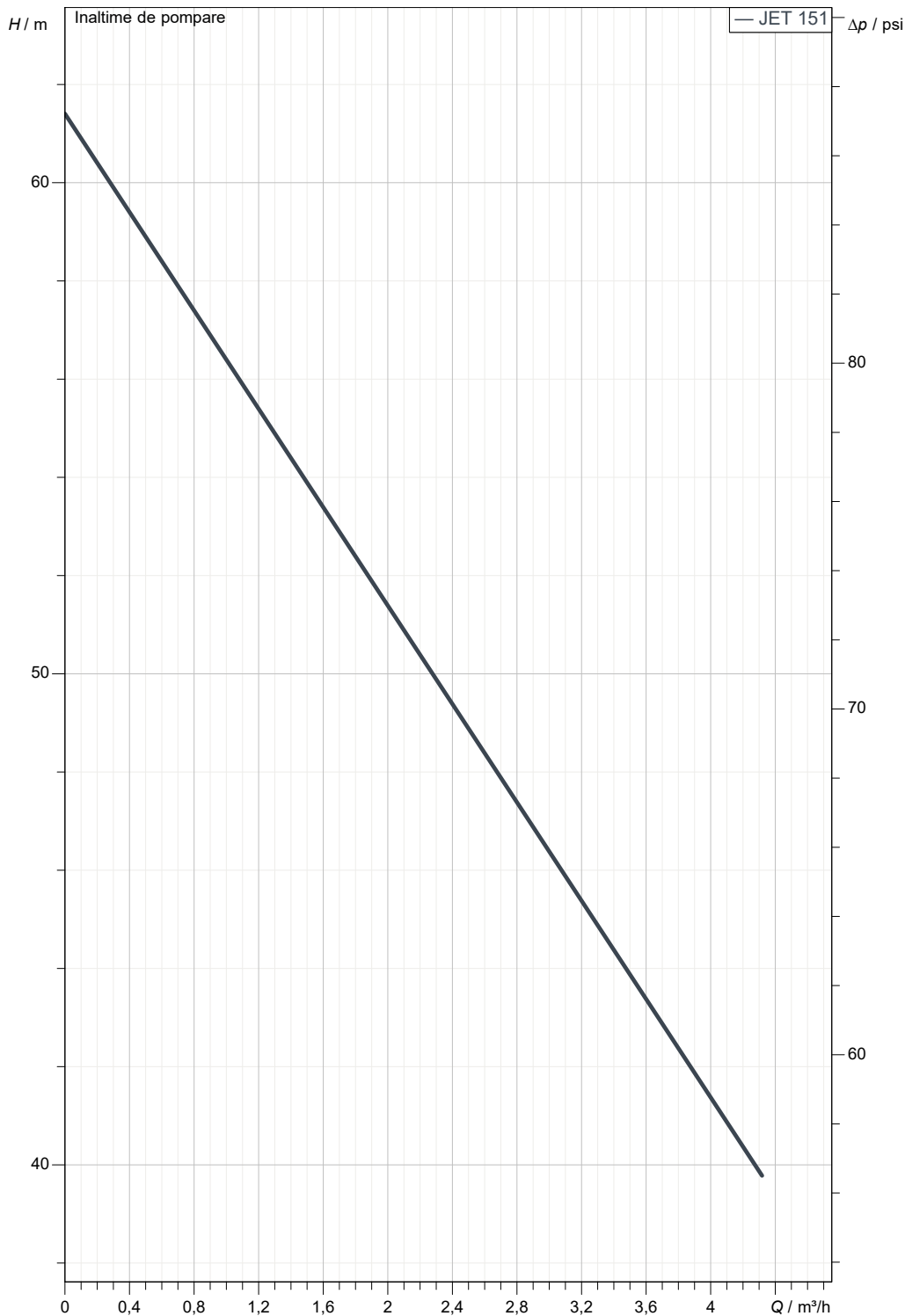
Destinatar

Expeditor

Firma
Referinta
Adresa
Phone
Fax
E-mail

JET 151 M-P

Curve tolerance according to ISO 9906



Date disponibile:

Partea cu aspiratia:
1" 1/4 G
8 bar (800 kPa)

Partea cu refularea:
1" G
8 bar (800 kPa)

Debit :

Înaltime de pompare :

Viteza nominala:
2.800 1/min

MAIN_PROJECT_TITLE

BUSINESS_PROCESS_ID

OWNER_

ISSUE_DATE



DESEN DIMENSIONAL

01/27/2021

Pagina 3 / 3

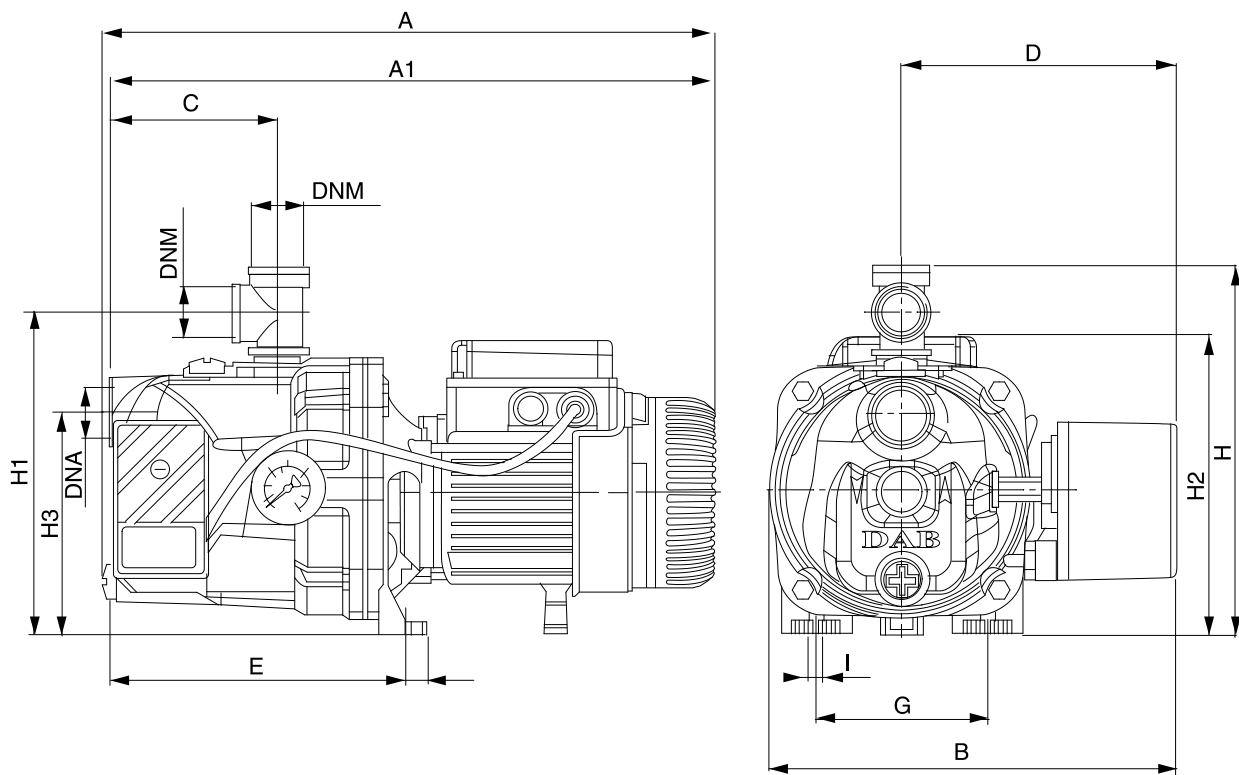
DAB PUMPS S.p.A.
Via Marco Polo, 14 - 35035 Mestrino (PD), Italy
Tel. +39 049 5125000 - Fax +39 049 5125950
www.dabpumps.com

Destinatar

Expeditor

Firma
Referinta
Adresa
Phone
Fax
E-mail

JET 151 M-P



Dimensiuni in mm

Racorduri pompa:

1	A	558	H2	-		
2	A1	-	H3	-		
3	B	290	I	-		Aspiratie
4	C	220	I Ø	11		1" 1/4 G
5	D	-				8 bar (800 kPa)
6	DNA	1"1/4 G				
7	DNM	1" G				Refulare
8	E	367				1" G
9	F	15				8 bar (800 kPa)
10	G	145				
11	H	305				
12	H1	165				

MAIN_PROJECT_TITLE

BUSINESS_PROCESS_ID

OWNER

ISSUE_DATE